

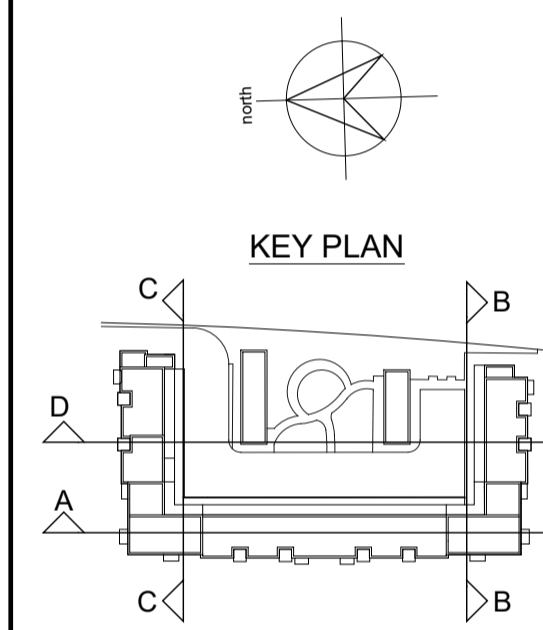
- © This drawing is copyright.
- 1 Do not scale this drawing.
- 2 Errors and omissions to be immediately notified to Architect.
- 3 All dimensions to be checked on site.
- 4 To be read with relevant Engineers drawings.

Note:
Furniture and fittings shown are indicative.

Wardrobes in bedrooms are not counted as part of designated storage areas.

Notes:
All dimensions in millimetres

Refer to RMDA landscape drawings for landscape design



revisions description date inls

revisions	description	date	inls
	Block 11 First & Second Floor Plans		

job
Block 11, Clongriffin, Dublin 13

client
Gerard Gannon Properties

issue
Clongriffin SHD 1 Planning

CONROY CROWE KELLY
ARCHITECTS & URBAN DESIGNERS
65 MERRION SQUARE
DUBLIN 2
phone 01 6613990 fax 01 6765715
email info@cock.ie

